



SPECTROLAB

Spectrolab Systems



DM-200 Low cost microscopy for everyone

3-in-1 Digital Microscope with 400x Magnification and 1.3MP Resolution

Description

- Conventional and handheld microscope
- Image head detachable for handheld outdoor use
- Specimen drawer for collecting samples
- 3 Magnifications:

Feature

- Dimension: W112mm × D134mm × H243mm, Weight: 380g
- Software Compatibility: Windows® XPSP2 or above, Windows Vista® (32bit or 64bit) and Windows® 7 (32bit or 64bit), Mac OS® X version 10.4.8 to 10.6.2
- Magnification: 50x to 100x, 100x to 200x, 200x to 400x
- Optical zoom: 1x to 2x
- Image Sensor: 1.3M Pixels
- Easily captures microscopic pictures and videos
- Need Battery for working
- Bundled software with measurement functions

Packing Detail

Package Contents

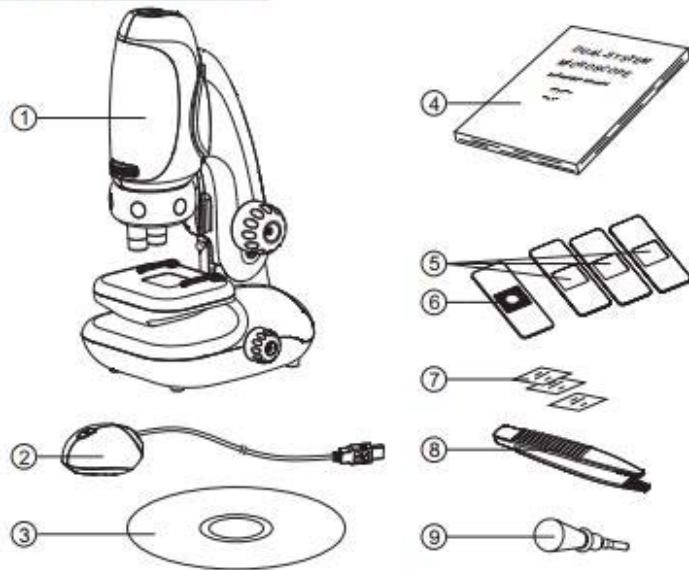


Figure 1 : Package Contents

1. Microscope (consists of Microscope Body and Stand) - 1 set
2. Digital iCam™ - 1 set
3. Digital Viewer™ for Windows® and Manual CD – 1 Disc
4. Instruction Manual – 1 booklet
5. Blank Specimen Slide – 3 pieces
6. Prepared Slide with Cotton Swatch – 1 piece
7. Blank Specimen Slides - 3 pieces
8. Tweezers – 1 pair
9. Dropper – 1 piece

More images



We also offer a complete range of hot and cold stages, easy to use image analysis options and every type of microscope

Contact:

Spectrolab Systems

High Wycombe
England

www.spectrolab.co.uk

sales@spectrolab.eu sales@spectrolab.co.uk

cat701105