



SPECTROLAB

www.spectrolab.co.uk sales@spectrolab.eu

Spectrolab in Optical Microscopy

USB Digital Cameras

CAT 701109

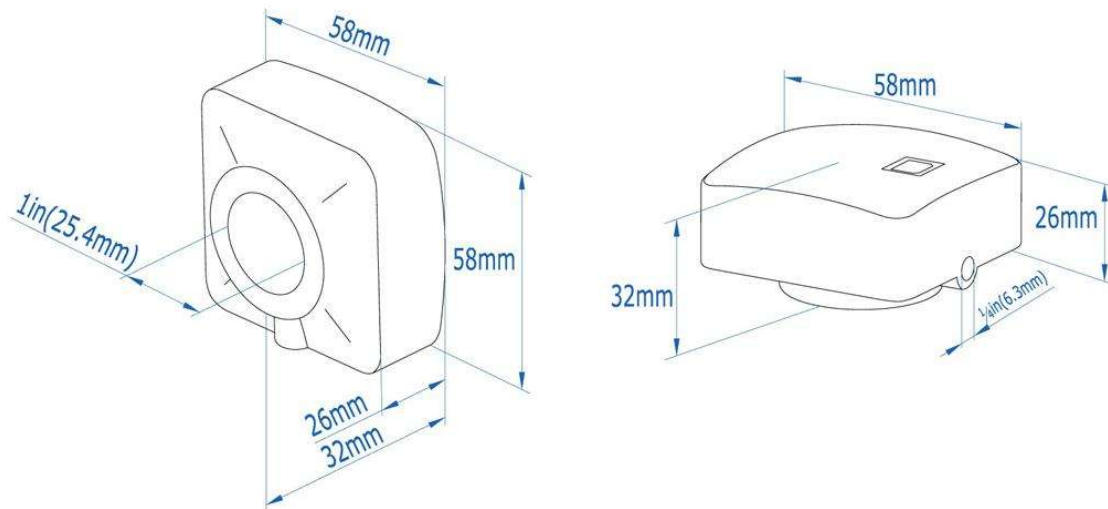
DCE-LX Series CMOS Camera (USB2.0)

Item	Article Code	Picture	Model	Description	Unit FOB Price	Remark
F01	DCE-LX1400			1> 1/2.3" color Aptina CMOS sensor 2> 14 Mega Pixels 3> Aptina MT9F001 (Progressive) 4> C-Mount, USB2.0 5> Square Housing:68 X 68 X 43mm		
F02	DCE-LX1000			1> 1/2.3" color Aptina CMOS sensor 2> 10 Mega Pixels 3> Aptina MT9J001 (Progressive) 4> C-Mount, USB2.0 5> Square Housing:58 X 58 X 32mm		
F03	DCE-LX900			1> 1/2.4" color Aptina CMOS sensor 2> 9 Mega Pixels 3> Aptina Non-public (Progressive) 4> C-Mount, USB2.0 5> Square Housing:58 X 58 X 32mm		
F04	DCE-LX800			1> 1/2.5" color Aptina CMOS sensor 2> 8 Mega Pixels 3> Aptina Non-public (Progressive) 4> C-Mount, USB2.0 5> Square Housing:58 X 58 X 32mm		
F05	DCE-LX500			1> 1/2.5" color Aptina CMOS sensor 2> 5.2 Mega Pixels 3> Aptina MT9P001 (Progressive) 4> C-Mount, USB2.0 5> Square Housing:58 X 58 X 32mm		
F06	DCE-LX300			1> 1/2" color Aptina CMOS sensor 2> 3.2 Mega Pixels 3> Aptina MT9T001 (Progressive) 4> C-Mount, USB2.0 5> Square Housing:58 X 58 X 32mm		
F07	DCE-LX200			1> 1/2" color Aptina CMOS sensor 2> 2.0 Mega Pixels 3> Aptina Non-public (Progressive) 4> C-Mount, USB2.0 5> Square Housing:58 X 58 X 32mm		
F08	DCE-LX130			1> 1/3" color Aptina CMOS sensor 2> 1.3 Mega Pixels 3> Aptina MT9M111 (Progressive) 4> C-Mount, USB2.0 5> Square Housing:58 X 58 X 32mm		

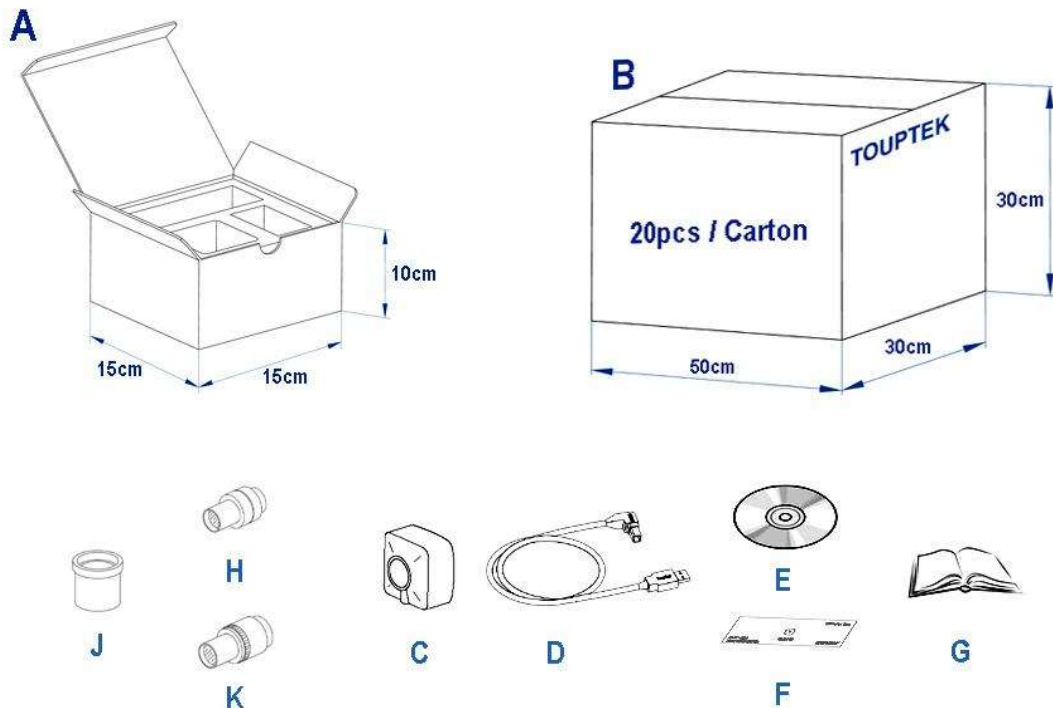
--	--	--	--	--	--	--

ToupCam[®] -- Digital Camera Packaging Info.

Dimensions Info.



Packaging Info.



Standard Camera Packaging List



- A: Carton box L:15cm W:15cm H:10cm (0.8~1.0Kg/ box)
- B: Carton L:50cm W:30cm H:30cm (20pcs, 12~17Kg/ carton, 0.045m³)
- C: Camera(C-Mount)
- D: High-Speed USB2.0 A Male to B Male Gold-Plated Connectors cable /1.8m
- E: CD (Driver & Utilities Software, Ø12cm)
- G: Manual (For environmental protection, some models may use the PDF documents instead of printed papers)

Optional Accessories





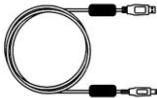
- F: Calibration kit: TS-M1(X=0.01mm/100Div.) ; TS-M2(X,Y=0.01mm/100Div.); TS-M7(X=0.01mm/100Div., 0.10mm/100Div.)
- H: Fixed lens adaptor:FMA037(0.37X), FMA050(0.50X), FMA075(0.75X) for Dia.23.2mm eyepiece tube use
- K: Adjustable lens adaptor:AMA037(0.37X), AMA050(0.50X), AMA075(0.75X) for Dia.23.2mm eyepiece tube use
- J: Adaptor rings for stereo microscope : 108015(Dia.23.2mm to 30.0mm Ring), 108016(Dia.23.2mm to 30.5mm Ring)
- Adaptor rings for telescope : 108017(Dia.23.2mm to 31.75mm Ring)

ToupCam[®] -- Digital Camera Components

Calibration Slide

Item	Article Code	Picture	Model	Description		Remark
N01	106011		TS-M1	Calibration Slide (Glass panel) X ruler 1mm/100 Div.x0.01mm Scale on Schott optical glass (B270)		
N02	106012		TS-M2	Calibration Slide(Glass panel) X&Y ruler 1mm/100 Div.x0.01mm Scale on Schott optical glass (B270)		

Cables & Software CD

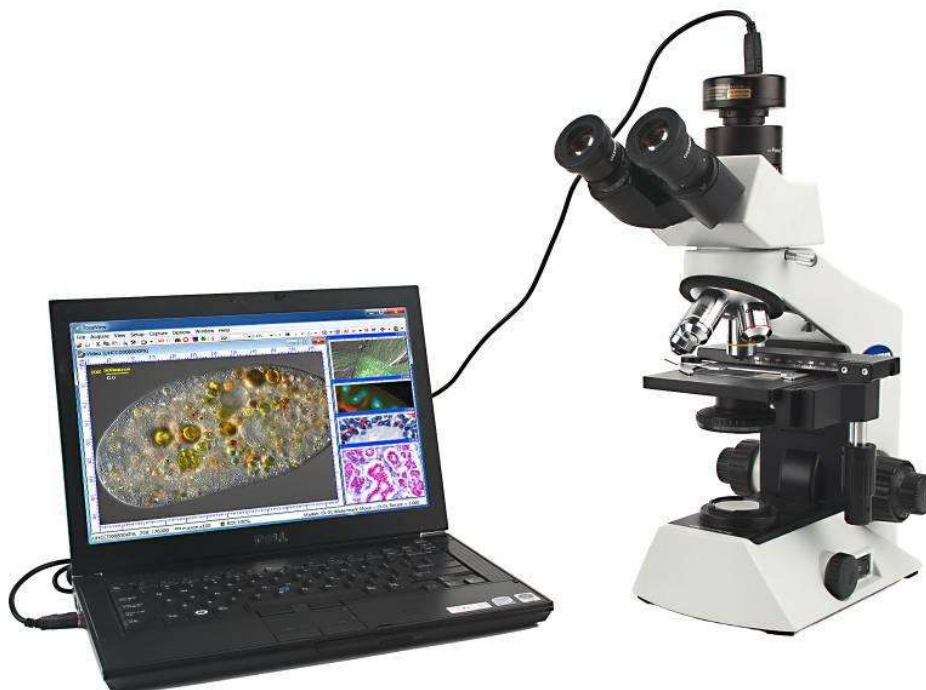
Item	Article Code	Picture	Model	Description		Remark
P01	107001			High-Speed USB 2.0 Cable A Male to B Male (90 Degree) Gold-Plated Connectors/1.8m		
P02	107002			High-Speed USB 2.0 Cable A Male to Mini B 5-pin Male Total length 1.5m		
P03	107003			High-Speed USB 2.0 Cable A Male to B Male Magnetic filter Connectors/2.0m		
P04	107005			High-Speed USB 3.0 Cable A Male to B Male Total length 1.5m		
P05	107006			High-Speed USB 3.0 Cable A Male to B Male Magnetic filter Connectors/1.8m		

USB Digital Camera Application

Camera Eyepiece with Biological Microscope



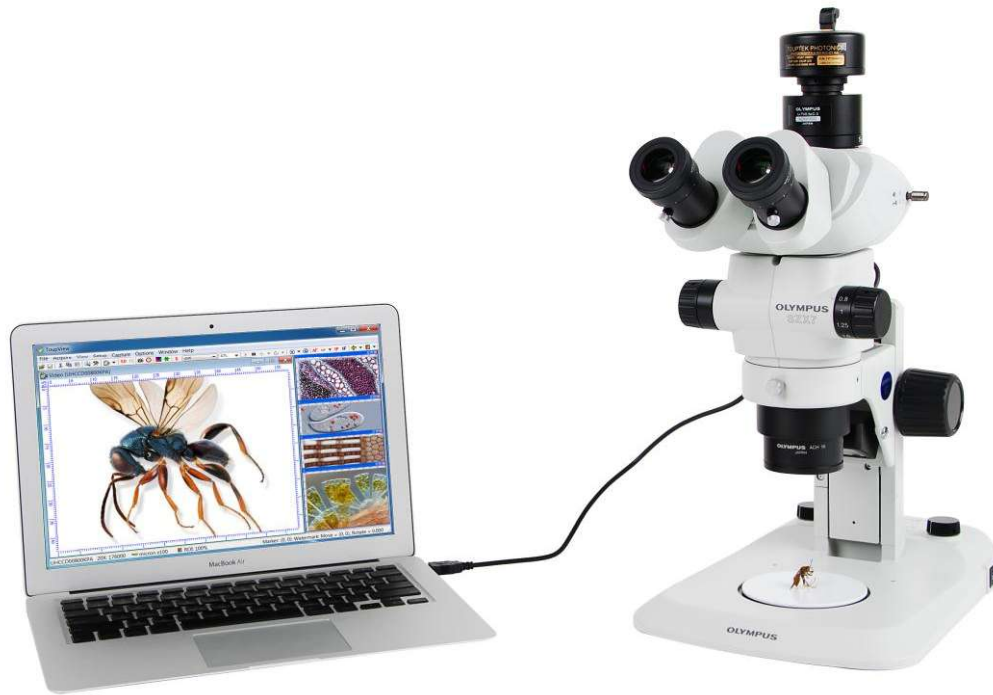
Olympus BX41



Olympus CX21

USB Digital Camera Application

Camera Eyepiece with Biological Microscope



Olympus SZX7

